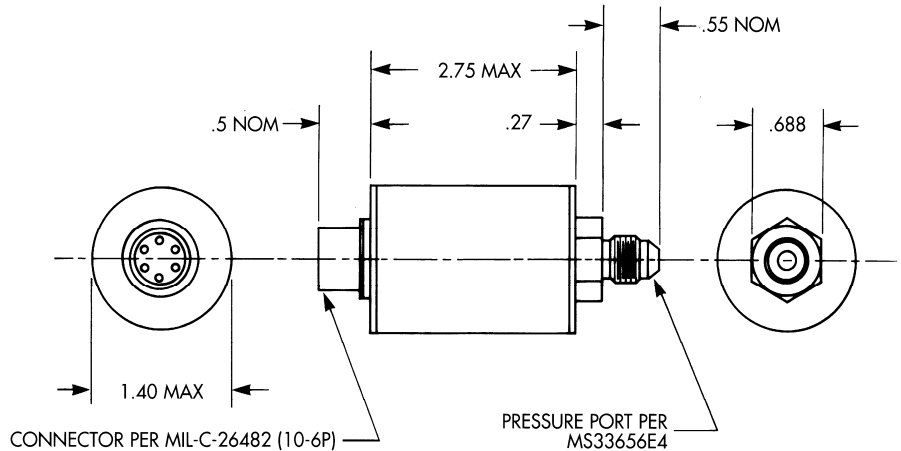
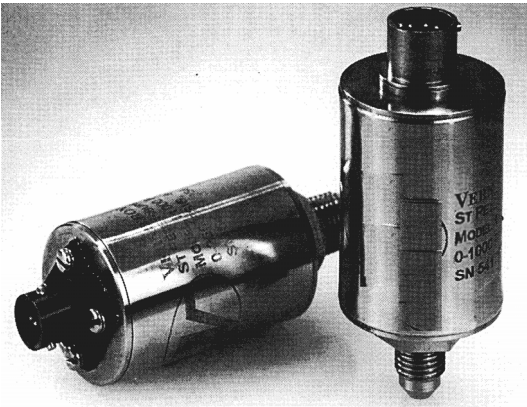


**SIGNAL-CONDITIONED  
PRESSURE TRANSMITTER  
MODEL 11000**



The **Model 11000**, utilizing either bonded silicon or bonded foil technology, is a versatile series of pressure transmitters that are ideal for high accuracy pressure sensing in harsh media environments.

The bonded silicon or bonded foil technologies, chosen to suit the particular application, provide the necessary levels of accuracy and temperature stability.

The stainless steel diaphragm and all-welded construction can withstand the harsh environments seen in the chemical and fluid power industries.

- ***High Accuracy & Repeatability***
  - ***Immune to Harsh Media***
  - ***High Pressure Range Capability***
  - ***Excellent Long-term Stability***
  - ***Signal-Conditioned Outputs***
- 
- ***Proportional Valves***
  - ***Fluid Power Equipment***
  - ***Lubrication Systems***
  - ***Gas Compressors***
  - ***Chemical Processing Systems***
  - ***Wastewater Treatment***
  - ***HVAC & Refrigeration***
  - ***Pulp & Paper Processing***

**MODEL 11000****SIGNAL-CONDITIONED PRESSURE TRANSMITTER**

<b>PRESSURE CHARACTERISTICS</b>	<b>Units of Measure</b>		
<b>Pressure Ranges</b> (in 100PSI Increments)	PSIG, PSIA & PSIS	0-100	0-200 through 0-10,000 PSI
<b>Proof Pressure</b>	% of Full Scale Pressure	200	150

<b>ELECTRICAL CHARACTERISTICS</b>	<b>Units of Measure</b>		
<b>Accuracy</b> (includes linearity, hysteresis & repeatability)			
Standard	±% of Full Scale Output	To 0.5	To 0.25
Special Order	±% of Full Scale Output	To 0.25	To 0.15
<b>Excitation</b>		10-32VDC or Current Loop	
Accuracy			
Standard	±% of Full Scale	To 1.0	To 0.5
Special Order	±% of Full Scale	To 0.25	To 0.25
<b>Outputs Available</b>			
Voltage (3-wire)	VDC	0-5, 0-10, 0.5-4.5, 0.5-9.5	
Current Loop	mADC	4-20	
Voltage (4-wire)	VDC	0-5	
Common Mode (4-wire)	VDC	5 ±1	

<b>TEMPERATURE CHARACTERISTICS</b>	<b>Units of Measure</b>		
<b>Temperature Coefficient</b>			
Sensitivity			
Standard	±% of Full Scale Output/100°F	1.2	
Special Order	±% of Full Scale Output/100°F	0.75	0.5
Balance			
Standard	±% of Full Scale Output/100°F	1.2	
Special Order	±% of Full Scale Output/100°F	0.75	0.5
<b>Temperature Range</b>			
Operating	°F	-40 to 250	
Compensated "A"	°F	0 to 150	
Compensated "B"	°F	77 to 187	



*An Electromotive Solutions Company*  
**ISO 9001:2000 & AS9100:2004 Certified**  
 2800 ANVIL STREET NORTH ST. PETERSBURG, FL 33710 USA  
 PHONE: (727) 347-2181 Fax: (727) 347-7520 Email: sales@vsensors.com