



SYSTEMS, L. L. C.

WWW.VSENSORS.COM

POTENTIOMETER TYPE, INFINITE RESOLUTION GAUGED PRESSURE TRANSDUCER MODEL 3500

- Designed to Interface with Standard Voltage Driven Instrumentation
- The Transmitters utilize the same High Accuracy Conductive Plastic Potentiometric sensors featured in our standard Pressure Transducer line.

FUNCTIONAL SPECIFICATIONS

- Service: Liquid, Gas or Vapor compatible with Brass, Phosphor Bronze and Beryllium Copper (contact factory for specifics)
- Ranges: Ranges to suit from 0-30" Hg to 0-6000 PSIG; Overpressure 20% of Full Scale Pressure.
- Vacuum units also available
- Output: Ratiometric Voltage
- Insulation: 500 Megohms min at 50 VDC

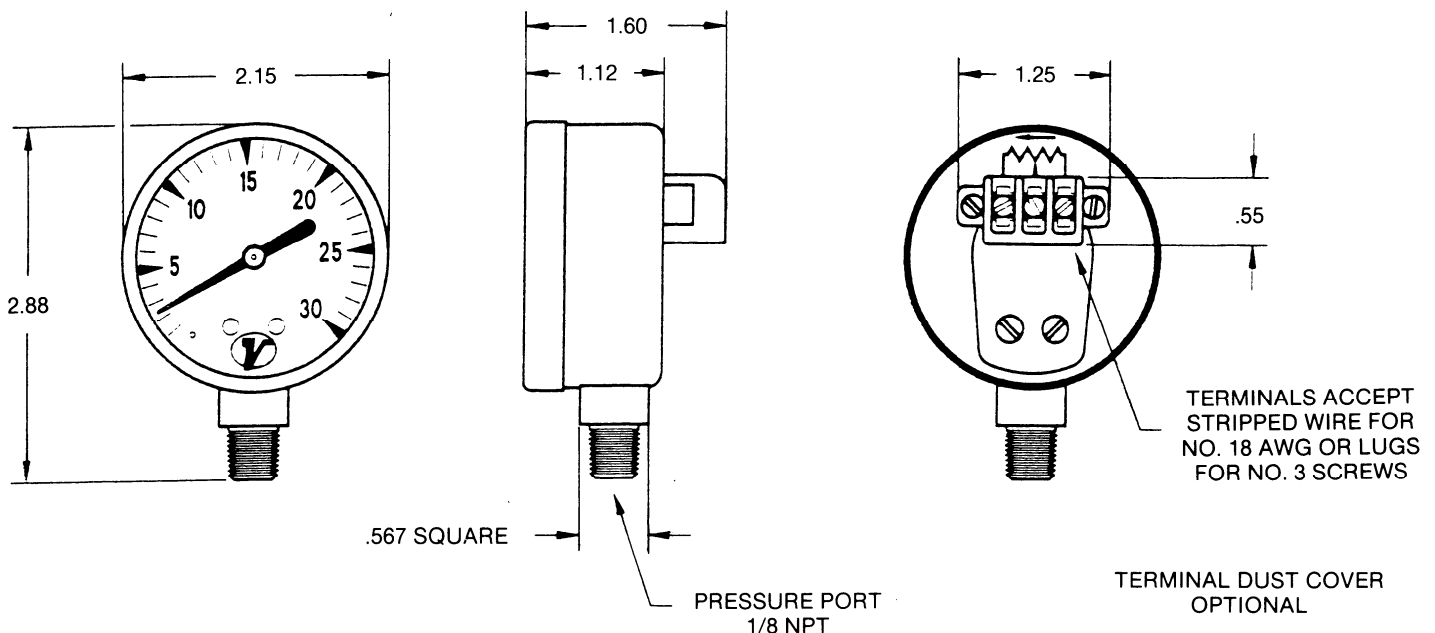
ENVIRONMENTAL SPECIFICATIONS

- Operating Temp Range: -40°C to +85°C
- Weight: 6 oz max

PERFORMANCE SPECIFICATIONS

- Accuracy: to $\pm 3\%$ FS ($\pm 4\%$ FS for Vacuum and PSI < 15)
- Repeatability: $\pm 0.5\%$ FS
- Hysteresis & Conformity: $\pm 2.5\%$ FS
- Temp. Sensitivity: $\pm 0.4\%/^{\circ}\text{C}$
- Life: 1,000,000 cycles min (depending on application)
- Resistance: 1k, 5k, or 10k ohms $\pm 20\%$
- Power Rating: 0.1 to 0.2 watts
- Output: to 80% of Supply Voltage

MECHANICAL OUTLINE



-- An Electromotive Solutions Company --

2800 ANVIL STREET NORTH • ST. PETERSBURG, FL 33710 USA • PHONE: (727) 347-2181 • Fax: (727) 347-7520