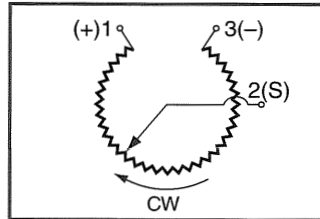


## ROTARY PRECISION POTENTIOMETERS

### Models 78, 105, 155, 175, 205 & 305

### CONDUCTIVE PLASTIC, SINGLE-TURN



#### SPECIFICATIONS

MODEL		78	105	155	175	205	305
Case Diameter	inch	.875	1-3/32	1-7/16	1-3/4	2	3
(Nominal)	mm	22.22	27.78	36.51	44.45	50.8	76.2

#### ELECTRICAL

Resistance Range	Std.	1K-250K	1K-250K	1K-250K	1K-250K	1K-250K	1K-250K
(Ohms)	Avail.	500-750K	500-1M	500-1M	500-2M	500-2M	500-3M
Resistance Tol.	Std.	±10%					
Independent	Std.	2% to 0.25%	2% to 0.1%	2% to 0.075%	2% to 0.1%	2% to 0.05%	0.25% to 0.035%
Linearity (±%)	Avail.	To 0.15%	To 0.075%	To 0.05%	To 0.05%	To 0.035%	To 0.025%
Electrical Function Angle	Std.	320°	350°	350°	350°	350°	350°
(±3°)	Max.	345°	354°	354°	354°	354°	356°
Electrical Contact Angle	+2°-3°	354°	356°	356°	356°	356°	356°
Power Rating (Watts @ 25°C)		2	2	2	4	4	4
Each additional Cup		0.5	0.5	0.5	0.5	1	1
Dielectric Strength	Std.	750	750	750	750	750	750
V RMS	Avail.	1000	1000	1000	1000	1000	1000
Operating Temperature Range		-55° to + 125°C					

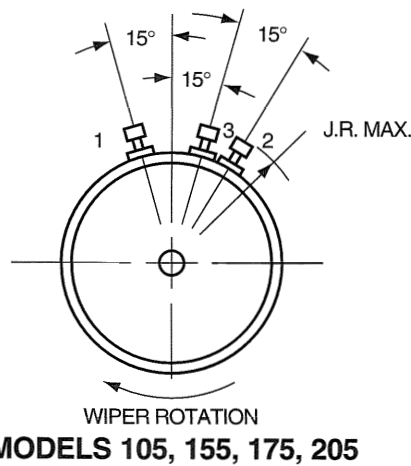
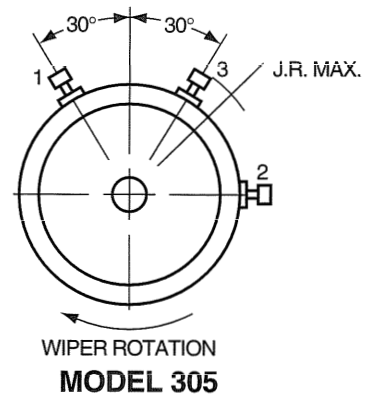
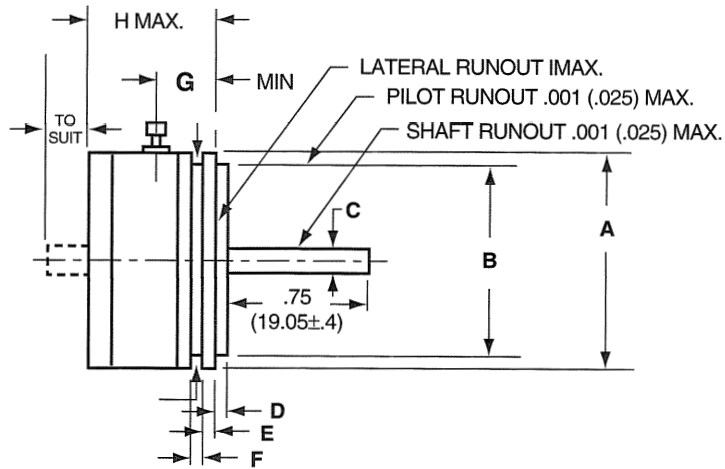
**For Optional Electrical Characteristics, see page 38.**

#### MECHANICAL

Mechanical Angle		360° Continuous-Angle Limiting Stops Available					
Starting Torque In-Oz	Std.	.15 max	0.2 max	0.2 max	0.3 max	0.3 max	0.5 max
/Cup	Avail.	0.05 min	0.05 min	0.05 min	0.1 min	0.1 min	0.15 min
Torque MIL-A-Seal In-Oz		0.8	0.8	0.8	2.5	-	-
Weight	Single	.75 max	1 max	1 max	3.5 max	4 max	8.5 max
(Oz.)	Additional/Cup	0.25 max	0.25 max	0.25 max	1.25 max	1.25 max	2.5 max
Additional Length/Cup		0.250" max	0.250" max	0.315" max	0.465" max	0.465" max	0.805" max
End Play	Std.	0.005" max	0.005" max	0.005" max	-	0.005" max	0.005" max
	Avail.	0.001"	0.001"	0.001"	-	0.001"	0.001"
Moment of Inertia (gmc <sup>2</sup> )		0.1	0.12	0.15	1.1	1.1	7.5
Maximum number of taps*		1	3	-	12	12	18

*-- An Electromotive Solutions Company --*

2800 ANVIL STREET NORTH • ST. PETERSBURG, FL 33710 USA • PHONE: (727) 347-2181 • Fax: (727) 347-7520



MODEL	A	B	C	D	E	F	G	H	I	J
78	.875 (22.22)	.750 (19.05)	.1250 (3.175)	.040 (1.016)	.060 (1.524)	.060 (1.524)	.281 (7.14)	.65 (16.51)	.002 (.051)	.590 (15.08)
105	1.094 (27.78)	1.030 (26.162)	.125 (3.175)	.040 (1.016)	.060 (1.524)	.060 (1.524)	.296 (7.54)	.65 (16.51)	.002 (.051)	.6875 (12.46)
155	1.438 (36.5)	1.3125 (33.338)	.125 (3.175)	.062 (1.575)	.093 (2.362)	.073 (1.854)	.343 (8.73)	.75 (19.05)	.002 (.051)	.906 (23.0)
175	1.75 (44.45)	1.562 (39.675)	.250 (6.350)	.062 (1.575)	.062 (1.575)	.062 (1.575)	.531 (13.49)	.99 (25.15)	.002 (.051)	1.031 (29.19)
205	2.00 (50.8)	1.875 (47.625)	.250 (6.350)	.062 (1.575)	.062 (1.575)	.062 (1.575)	.531 (13.49)	.99 (25.15)	.002 (.051)	1.156 (29.37)
305	3.00 (76.2)	2.875* (73.025)	.250 (6.350)	.062 (1.575)	.093 (2.362)	.080 (2.032)	.781 (19.84)	1.36 (34.54)	.003 (.076)	1.812 (46.04)

**NOTE:** Metric Conversion in mm in Brackets.

\*.750 (19.050) PILOT DIAMETER IS OPTIONAL



*An Electromotive Solutions Company*

**ISO 9001:2000 & AS9100:2004 Certified**

2800 ANVIL STREET NORTH ST. PETERSBURG, FL 33710 USA

PHONE: (727) 347-2181 Fax: (727) 347-7520 Email: sales@vsensors.com