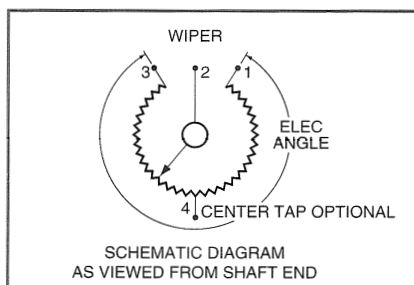


# ROTARY PRECISION POTENTIOMETERS

## SL SERIES

### CONDUCTIVE PLASTIC, SINGLE-TURN



### SPECIFICATIONS

SIZE		11	12	15	18	20	30
Case Diameter	inch	1-1/16	1-3/32	1-7/16	1-3/4	2"	3"
(Nominal)	mm	27	28	37	44	51	76

### ELECTRICAL

Resistance Range	Std.	1K-20K	1K-20K	1.5K-30K	2K-40K	2K-40K	4K-80K
(Ohms)	Avail.	200-200K	200-200K	300-300K	400-400K	450-450K	800-800K
Resistance Tol.	Std.	±10%					
Linearity (±%)	Std.	.25	.25	.2	.15	.15	.1
Independent	Avail.	.05	.05	.04	.03	.03	.02
Electrical Angle	Std.	344°	344°	348°	351°	352°	355°
Power Rating (Watts @ 25°C)		1.5	1.5	2.0	3.0	3.0	5.0
Insulation Resistance		20 Megohms @ 500 Volts DC					
Dielectric, Strength (VRMS)		1000					
Output Smoothness		50% of Linearity					
Resistance Temp. Characteristics		3% Max. Resistance Change Over Temp. Range (-65° to + 125°C)					

See **OPTIONAL ELECTRICAL CONFIGURATIONS**

### MECHANICAL

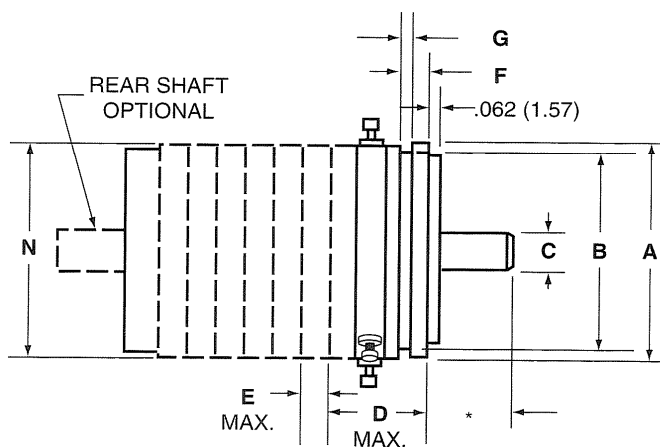
Mechanical Angle		360° Continuous—Angle Limiting Stops Avail.					
Max. Ganged Sections		12	12	12	12	12	12
Torque	Single	.35	.35	.50	.6	.7	1.0
(Oz. In.)	Add./Section	.31	.31	.40	.5	.5	.8
Moment of Inertia (gcm <sup>2</sup> )	Single	1.9	1.9	3.5	3.7	4.0	6.3
	Add./Section	1.8	1.8	3.3	3.5	3.8	6.1
Weight	Single	.96	1.0	1.79	2.2	2.7	5.8
(Oz.)	Add./Section	.21	.21	.32	.38	.4	.57
Additional Taps	(Max.)	15	15	12	12	18	18
Temperature Range		-65° to + 125°C					
Mechanical Life		20 to 200 Million Revolutions (Dependent upon Application and Failure Criteria)					

Shaft is ball bearing mounted both front and rear

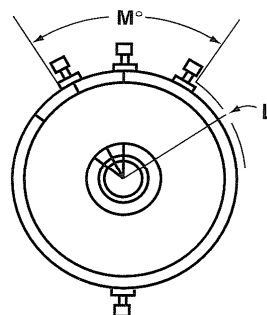
See **OPTIONAL MECHANICAL CONFIGURATIONS**

# SL SERIES

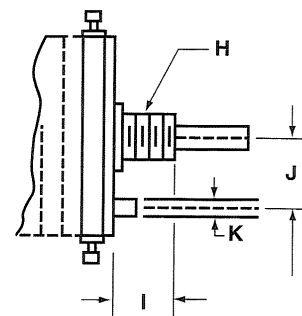
## ROTARY PRECISION POTENTIOMETERS CONDUCTIVE PLASTIC, SINGLE-TURN



**SERVO MOUNT**



**SHAFT END VIEW**



**BUSHING MOUNT**

**MULTI-GANGS AVAILABLE**

**Note:** Dimension "D" is the overall length for single gang unit. Dimension "E" is the increment for additional gangs, i.e.: 5 gang unit equals D + 4 X E.

\* Standard Shaft Length:  
.500±.031 (12.7±0.8mm)  
Other Lengths Optional

Lateral, Pilot & Shaft Runout:  
.001 (0.0254mm) Max.

SIZE	A	B	C	D	E	F	G	H	I	J	K	L	M	N
SL 11	1.062 (27.00)	.9688 (24.608)	.1247 (3.167)	.630 (16.00)	.200 (5.08)	.062 (1.57)	.062 (1.57)	1/4-32 NEF	.250 (6.35)	.312 (7.92)	.062 (1.57)	.672 (17.07)	65° (65°)	1.083 (27.5)
SL 12	1.093 (27.765)	1.03 (26.162)	.1247 (3.167)	.630 (16.00)	.200 (5.08)	.062 (1.57)	.062 (1.57)	1/4-32 NEF	.250 (6.35)	.312 (7.92)	.062 (1.57)	.672 (17.07)	65° (65°)	1.073 (27.25)
SL 15	1.437 (36.50)	1.3125 (33.338)	.2497 (6.34)	.725 (18.42)	.200 (5.08)	.093 (2.365)	.073 (1.85)	3/8-32 NEF	.375 (9.5)	.500 (12.7)	.125 (3.17)	.844 (21.44)	55° (55°)	1.459 (37.06)
SL 18	1.750 (44.45)	1.562 (39.675)	.2497 (6.34)	.725 (18.42)	.200 (5.08)	.093 (2.365)	.073 (1.57)	3/8-32 NEF	.375 (9.5)	.500 (12.7)	.125 (3.17)	1.031 (26.19)	55° (55°)	1.771 (44.98)
SL 20	2.000 (50.80)	1.875 (47.625)	.2497 (6.34)	.725 (18.42)	.200 (5.08)	.093 (1.57)	.073 (1.57)	3/8-32 NEF	.375 (9.5)	.500 (12.7)	.125 (3.17)	1.141 (28.98)	45° (45°)	2.021 (51.33)
SL 30	3.000 (76.20)	2.875 (73.025)	.2497 (6.34)	.725 (18.42)	.200 (5.08)	.093 (1.57)	.073 (1.57)	3/8-32 NEF	.375 (9.5)	.500 (12.7)	.125 (3.17)	1.641 (41.68)	45° (45°)	3.021 (76.73)

NOTE: Metric Conversion in mm in Brackets



An Electromotive Solutions Company  
ISO 9001:2000 & AS9100:2004 Certified  
2800 ANVIL STREET NORTH ST. PETERSBURG, FL 33710 USA  
PHONE: (727) 347-2181 Fax: (727) 347-7520 Email: sales@vsensors.com