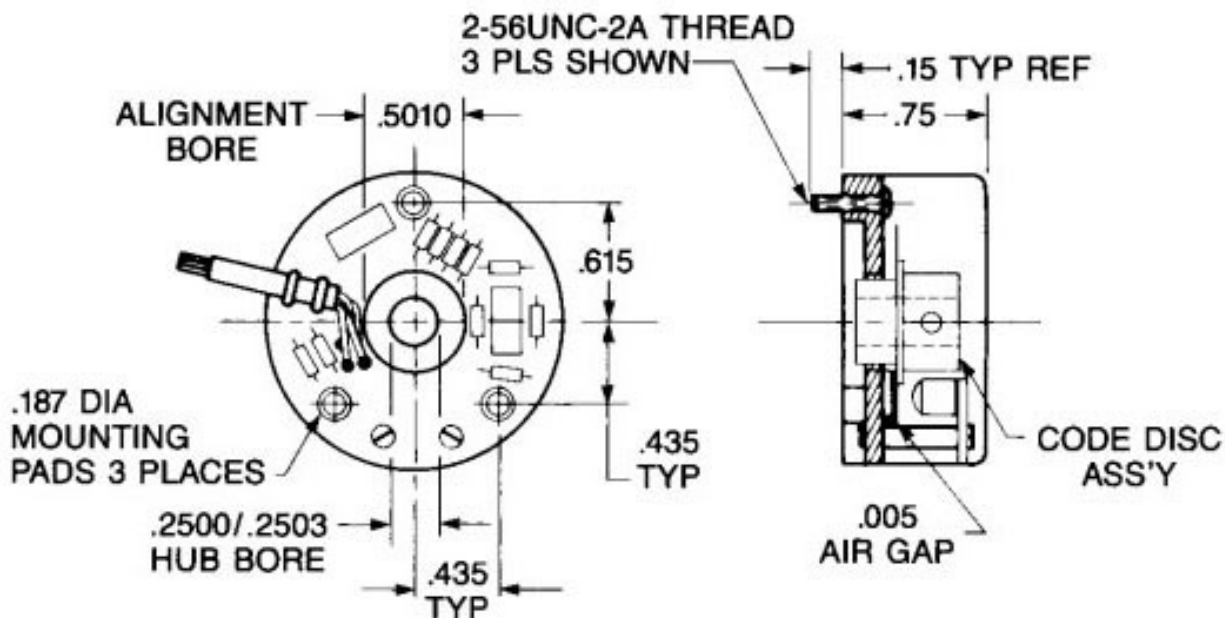




SYSTEMS, L. L. C.
WWW.VSENSORS.COM

INCREMENTAL KIT ENCODER Model VOE015



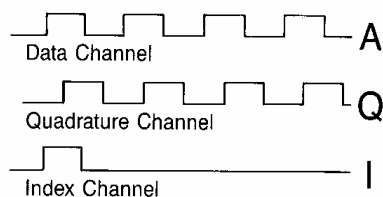
ELECTRICAL

| | |
|---------------------------|--|
| Voltage | 5 to 15 VDC |
| Frequency Response | 100kHz (Standard) |
| Resolution* | 250, 256, 500, 512, 1000, 1024, 1080, 2000, 2048, & 2500PPR |
| Code | Dual Channel in Quadrature w/Index |
| Multiplication | Available |
| Complimentary | Available |
| Output | PS- Photo-sensor PU- Pull-up OC- Open Collector LD- Line Driver |
| Accuracy | |
| Pulse to Pulse | ±1% |
| Pulse to Any Pulse | ±3 arc minutes |

MECHANICAL

| | |
|--------------------|--|
| Mounting | Flange, Servo, Face |
| Shaft Seals | Available |
| Leads | Pigtail Standard |
| Connectors | Available |
| Vibration | 5-2Khz @ 20 G's |
| Temperature | 0°C to 70°C (Std Operating) -54°C to 85°C (Optional) -65°C to 95°C (Storage) |
| Humidity | Non-condensing |
| Shock | 50 G's, 11ms |

ENCODER OUTPUT



*Other counts are available on special order.

-- An Electromotive Solutions Company --

2800 ANVIL STREET NORTH • ST. PETERSBURG, FL 33710 USA • PHONE: (727) 347-2181 • Fax: (727) 347-7520