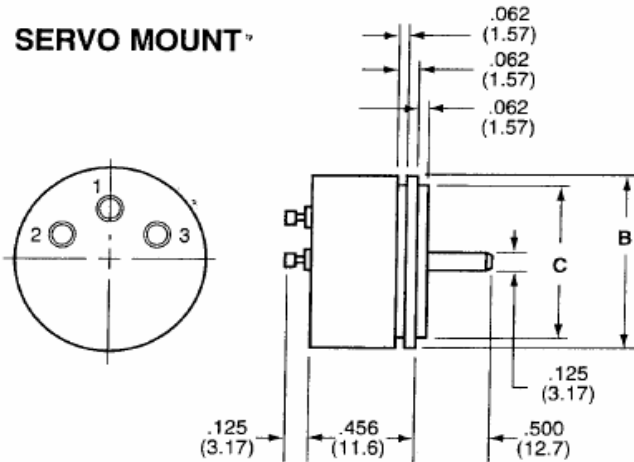
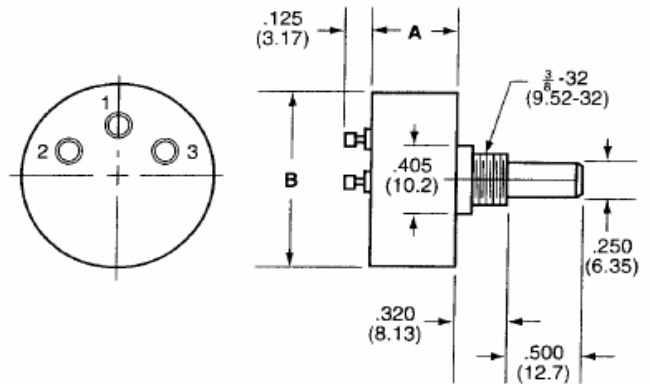


# ROTARY PRECISION POTENTIOMETERS VP SERIES CONDUCTIVE PLASTIC, SINGLE-TURN

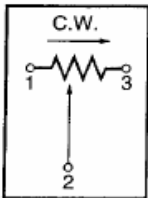
**SERVO MOUNT**



**BUSHING MOUNT**



Lock washers and hex-mtg. nuts supplied with each unit.  
Unless otherwise stated, tolerances are  $\pm 0.15'$  (.38)



DIMENSIONS			
MODEL	A (BODY)	B (DIAMETER)	C (SERVO)
VP09B	.445 (11.3)	.875 (22.2)	—
VP09S	.445 (11.3)	.875 (22.2)	.750 (19.05)

NOTE: Metric conversion in mm in brackets

**ORDERING INFORMATION**

VP09 — 2 B - SL — 10K

MODEL	Linearity	Mounting	Bearings	Resistance Value
VP09	2: $\pm 2\%$ 1: $\pm 1\%$	B: Bushing S: Servo	SL: Sleeve BL: Ball Bearing	1K 10K 2K 20K 5K

## SPECIFICATIONS

### ELECTRICAL

Power Rating	1.5 Watts @ 70°C
Resistance Range $\pm 20\%$	500Ohms to 100KOhms
Temperature Coefficient	500ppm/C° Max
Independent Linearity	$\pm 2.0\%$ To $\pm 0.25\%$ (Optional)
Output Smoothness	0.1% Max
Resolution	Essentially Infinite
Insulation Resistance	20 MOhms/min @ 500VDC
Operating Temperature Range	-40°C to 125°C
Dielectric Strength	750V RMS

\* See **OPTIONAL Electrical Characteristics**

### MECHANICAL

Total Adjustment Turns	1
Mechanical Rotation	Continuous
Operating Torque	
Servo-Mount	0.3oz-inch
Panel Mount	0.6oz-inch
Mechanical Stops	Optional
Electrical Travel	340°
Rotational Life	Up to 50,000,000 Shaft Revolutions

\* See **OPTIONAL Mechanical Characteristics**

— An Electromotive Solutions Company —

2800 ANVIL STREET NORTH • ST. PETERSBURG, FL 33710 USA • PHONE: (727) 347-2181 • Fax: (727) 347-7520